

Professional Series

Features:

- ▶ Maximum SPL 129 dB peak
- ▶ 460 mm (18 in) Differential Drive® dual voice-coil and magnetic gap, neodymium woofer
- ▶ 600 Watt Class-D, Crown® digital amplifier
- ▶ Professional XLR line and ¼ in Mic/Instrument inputs
- ▶ Stereo input and loop-through capability
- ▶ Top panel 36 mm pole mount socket for sub/satellite configuration
- ▶ 16 gauge, dent resistant grille
- ▶ Obsidian DuraFlex™ coated plywood construction
- ▶ Professional XLR line and ¼ in Mic/Instrument inputs, with loop through.
- ▶ Large glass-filled nylon handlebar with a fine tuned ergonomic rubber grip for maximum comfort

Application:

Compact and powerful, the PRX618S offers the performance of an 18 in subwoofer in a package not much larger than a typical 15 in sub. With a pole receptacle (that accepts a SS3-BK or SS3-BK24) on the top panel and integrated stereo pass-through, with selectable HP filter, this is the perfect complement to the PRX600 full-range systems. Configured with a PRX612M or PRX615M, the result is a highly transportable, high performance subs/satellite system. The addition of a polarity reverse option further enables integration with any top cabinet.

The PRX618S is a high performance self-powered compact subwoofer system. The PRX618S is comprised of a 268G 460 mm (18 in) Differential Drive® dual voice-coil and magnetic gap, neodymium woofer driven by a Crown Class-D power amplifier. The amplifier input panel offers stereo or mono line level inputs via balanced XLR connectors as well as a single channel speaker level input via a ¼ in TS phone jack. Signal processing, crossover functionality and limiting for the system is integrated into the input section functionality. Overall subwoofer input sensitivity is controlled by a single easy grip knob and a simple switch enables polarity reversal for sub/satellite system optimization. Signal present and limit lights indicate performance status.

All PRX600 cabinets are built from a combination of 25 mm (on the top and bottom for added rigidity) and 18 mm, strong, lightweight poplar plywood made structurally sound with tongue and groove joints. All PRX600 Series cabinets are protected by JBL's tour proven DuraFlex™ finish. Grilles are made from dent-resistant 16 gauge steel and handles are made from lightweight, glass-filled nylon for added strength and durability.

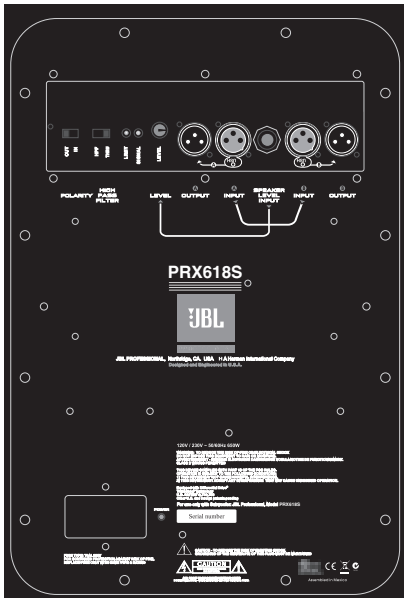


Specifications:

System	
System Type:	Self powered 18", bass-reflex
Maximum SPL Output:	129 dB peak
Frequency Range (-10 dB):	41 Hz - 130 Hz
Frequency Response (±3 dB):	50 Hz - 100 Hz
Input Connectors:	Balanced XLR input with XLR loop-through (stereo). 1/4" speaker level input (Mono).
Input Impedance:	20K ohms (balanced)
Signal indicators:	Overload: Red LED indicates input overload condition Signal: Green LED indicates signal present
Polarity:	Normal or reverse polarity
Crossover Modes:	Analog 24 dB/oct filter slope
Crossover Frequency:	120 Hz
Amplifier	
Design:	Crown® Class D
Power Rating:	600 W
Speaker	
LF Driver:	268G 460 mm (18") Differential Drive® dual voice-coil and magnetic gap, neodymium woofer
Enclosure:	Rectangular, 18 mm, plywood
Suspension/ Mounting:	36 mm pole socket on top
Transport:	2 x injection molded handles with backing cup
Finish:	Obsidian DuraFlex™ finish
Grille:	Powder coated, Obsidian, 16 gauge perforated steel with acoustically transparent black cloth backing.
Input Connectors:	Balanced XLR / 1/4" combo jack with XLR loop through
Dimensions (H x W x D):	685.8 mm x 530.9 mm x 614.7 mm (27.0" x 20.9" x 24.2")
Net Weight:	32 kg (70.5 lb)
Gross Weight:	37.2kg (82 lb)

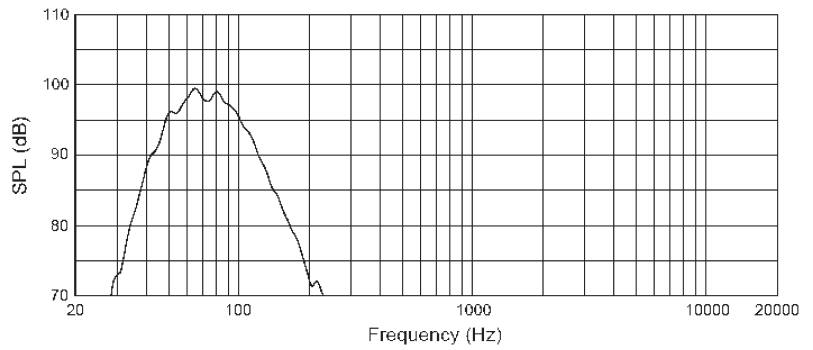
JBL continually engages in research related to product improvement. Some materials, production methods and design refinements are introduced into existing products without notice as a routine expression of that philosophy. For this reason, any current JBL product may differ in some respect from its published description, but will always equal or exceed the original design specifications unless otherwise stated.

► PRX618S 18" Self Powered, Bass-Reflex

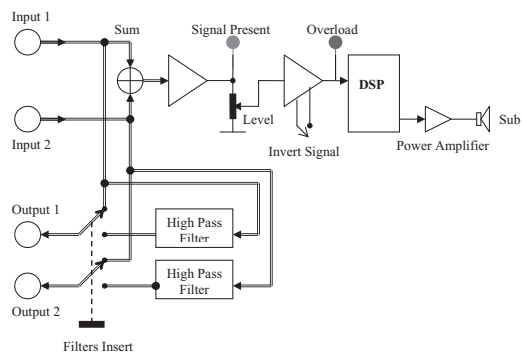


PRX618S Input Panel

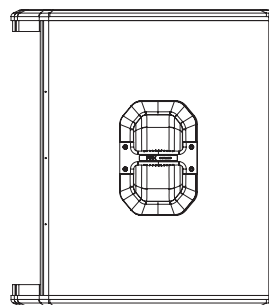
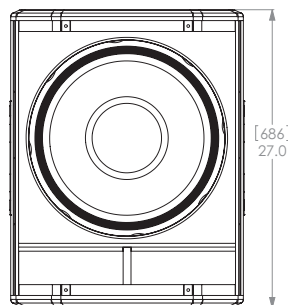
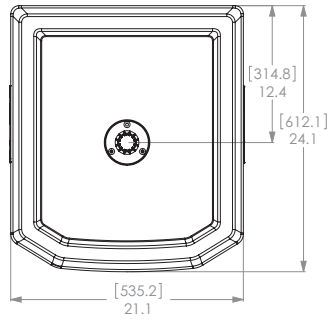
Frequency Response



Block Diagram



Dimensions in (mm) inches



JBL Professional
8500 Balboa Boulevard, P.O. Box 2200
Northridge, California 91329 U.S.A.

© Copyright 2010 JBL Professional
www.jblpro.com

SS PRX618S
CRP
05/10